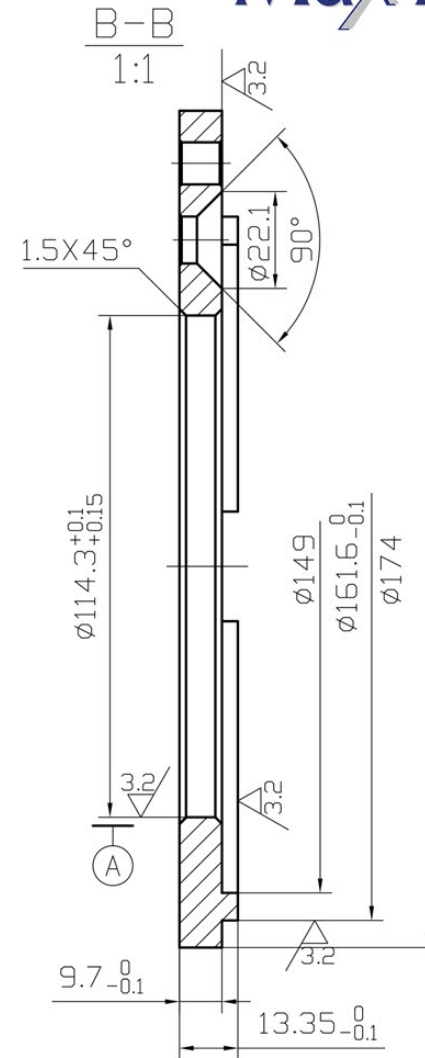
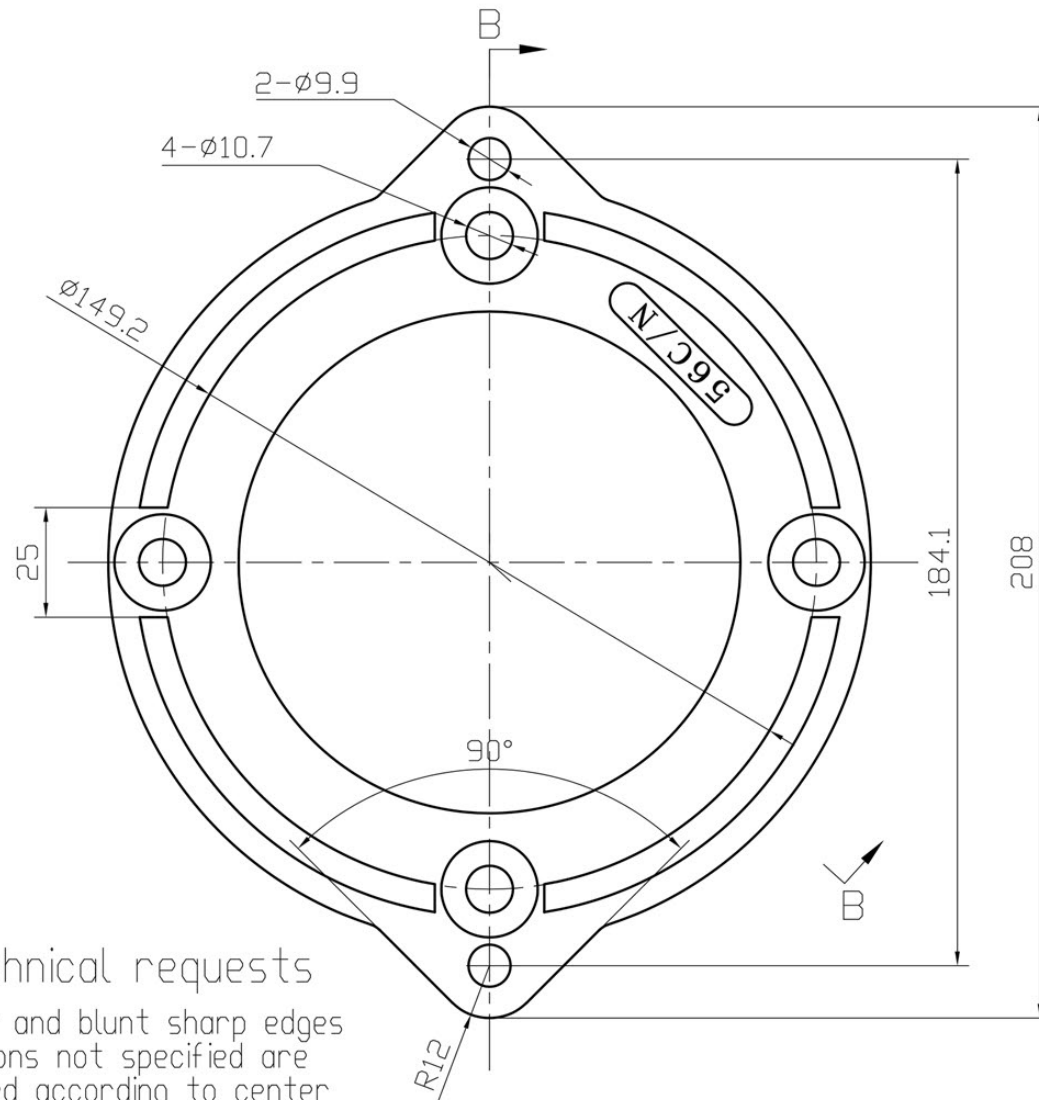


Version:2HUA	Revised: July 2020	HP	RPM	FRAME	ENCLOSURE
Customer is responsible in determining that MaxMotion product will fit/perform suitably in the intended application		1/2	1800	56C	TEFC

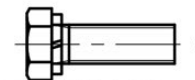
MPR-124CH



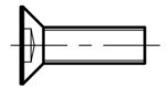
technical requests

debur and blunt sharp edges
 dimensions not specified are
 machined according to center
 symmetry

ITEM #:56C/N



5/16-18UNCx1-1/4
 With Spring Washer Galvanized
 2 PCS



3/8-16UNCx1
 Blackening
 4 PCS